

Stanley Rush Series 1500A - Automatic Revolving Door

- Automatic center shaft revolving door in 3 or 4 wing configuration
- Custom designs and sizes to meet our customers exacting needs
- Narrow stile construction and hair line joints for architectural elegance
- Concealed heavy duty collapsing mechanism and tapered roller bearings



AN ELEGANT, HIGH QUALITY AND ENERGY EFFICIENT AUTOMATIC REVOLVING DOOR ENTRANCE WITH ENHANCED SAFETY

- PLC control with on board diagnostics for easy, rapid service
- Full perimeter weather seals for energy efficiency
- Upgraded Sensor package designed for added safety
- Optional Rushclad - adhesive applied wrap around design cladding for high quality, long lasting finish



STANLEY Rush Products Group

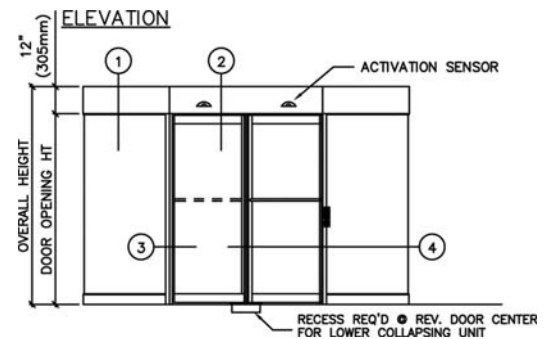
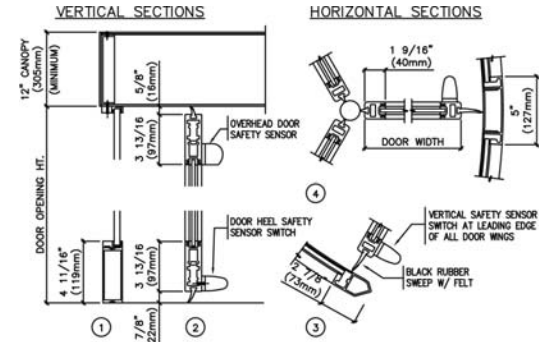
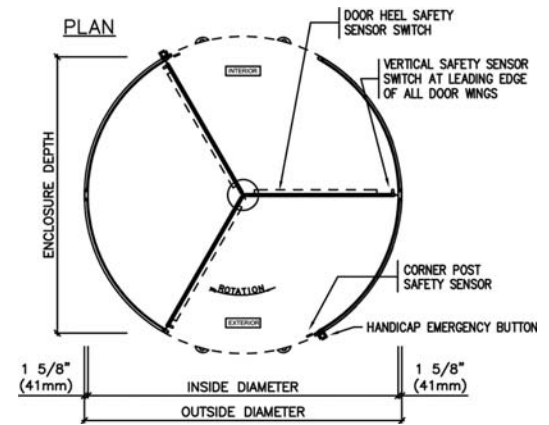
65 Riviera Drive
Markham, ON, L3R 5J6
(T) 905-944-8005
(F) 905-944-8006

StanleyRush@sbdinc.com
www.stanleyrush.com

Stanley Rush Series 1500A - Automatic Revolving Door

Series 1500A Automatic Product Specifications:

Description	Standard Configuration	Options
Diameters	Up to 12' (3700 mm)	Custom diameters available
Heights	7' (2130 mm) to 8'6" (2600 mm) door opening height	
Wings	3 or 4 wing	
Sweeps	Rubber/Felt sweeps	
Locks	Concealed Deadbolt into bottom rails	
Finishes	Clear or bronze anodized standard	Paint or cladding in Rushclad Stainless Steel or Muntz, hair line joints
Collapsing	Emergency bookfold – concealed in rails, ceiling and floor	
Canopy	12" (300 mm) minimum	Custom heights, extended, as required
Drum glass	1/4" (6 mm) tempered glass	Consult factory
Wing glass	1/4" (6 mm) tempered glass, factory glazed	
Wing Rails/Stiles	3 -15/16" (100 mm) top and bottom rails, 1/3-4" (45 mm) stiles	
Bottom bearings	Tapered steel roller bearings	
Speed control	Automatic overhead, PLC programmable Slow speed activation – 1/2 design speed Emergency stop buttons included	
Ceiling	Two piece circular aluminum, standard	To match special finish, or cladding
Roof	Full circular to match finish	
Lights	Two LED lights per door, 3-1/4" (82 mm) diameter	
Custom Options	Consult Factory	
Design/testing	ANSI/BMHA A156.27, ASTM E-283	Speakers/Enunciator for customer awareness Floor grilles radius cut from stainless steel sheet



Door Diameter	Opening Width	Enclosure Dept
3 WING		
10 ft.	55 3/4" (1416 mm)	104 5/8" (2657 mm)
11 ft.	61 3/4" (1568 mm)	115" (2921 mm)
12 ft.	67 3/4" (1721 mm)	129 3/8" (3286 mm)
4 WING		
10 ft.	80 5/8" (2048 mm)	86" (2657 mm)
11 ft.	89 1/8" (2264 mm)	94 1/2" (2400 mm)
12 ft.	97 5/8" (2480 mm)	103" (2616 mm)

Based on outside diameters of doors



STANLEY Rush Products Group

65 Riviera Drive
Markham, ON, L3R 5J6
(T) 905-944-8005
(F) 905-944-8006

StanleyRush-sales@sbdinc.com
www.stanleyrush.com